



INSTALLATION, OPERATION, & MAINTENANCE MANUAL



MODEL:

**HDML-1500XLT-E
1,500 LB CAPACITY ELECTRIC MOTORCYCLE/ATV LIFT**

⚠ FOLLOW THIS MANUAL CAREFULLY TO ENSURE THE MACHINE WILL FUNCTION CORRECTLY AND PROVIDE MANY YEARS OF DEPENDABLE SERVICE. FAILURE TO FOLLOW THESE INSTRUCTIONS AND SAFETY WARNINGS MAY RESULT IN PERSONAL INJURY OR PROPERTY DAMAGE. USE OF STRAPS IS RECOMMENDED - SOLD SEPARATELY. KEEP THIS MANUAL IN A SAFE DRY PLACE FOR FUTURE REFERENCE.



TITAN MARKETING, LLC

PO Box 7069 Greenwood, IN 46142
1.888.908-4826 FAX (317) 215.2770
www.titanlifts.com

To Our Valued Customers:

Thank you for purchasing a Titan Lifts® product. We hope this high quality equipment provides you with years of dependable service.

It is unfortunate that rare situations may occur with the products you purchase from Titan Lifts®. We value your business as well as the trust you have and need to maintain your relationship with us. Titan Lifts® carries liability coverage that may protect our customers if a situation does occur. However, as in all accidents there must be proof of liability for a claim to be made. Our insurance company requires the following procedures be observed in order to consider a claim:

- A. The claimant must contact the Titan Lifts® distributor immediately with the facts of the situation.
- B. If any equipment is damaged, including vehicles or shop equipment, Titan Lifts® must be given the opportunity to send an impartial representative to the site for proper assessment of the situation.
- C. The Vehicle cannot be moved until either an impartial representative has reviewed the accident or clear and precise pictures are taken that reflect all the pertinent information for an impartial representative to be able to access the information from a distance. Titan Lifts® or its representatives must approve the pictures before anything can be moved.
- D. If any potential liability is determined on behalf of Titan Lifts®, two estimates must be submitted for damages to be reimbursed.

It is imperative that the claimant complies with these procedures, because without proper assessment of the situation a claim will be denied.

ARBITRATION NOTICE

The installation or use of this equipment shall constitute an acknowledgement that the user agrees to resolve any and all disputes or claims of any kind whatsoever, which relate in any way to the equipment, by way of binding arbitration, not litigation. No suit or legal action may be filed in any state or federal court. Any arbitration shall be governed by the Federal Arbitration Act, and administered by the American Mediation Association, Indianapolis Indiana. The maximum amount that an arbitrator may award and all damages shall not exceed the retail value of this equipment.

WARRANTY NOTICE

This equipment must be assembled and used in the manner according to the documentation provided to be covered by warranty.

Damaged or missing components must be reported within 72 hours of receipt to your freight carrier and to the distributor. Claims must be filed to cover cost.

If you have any questions or if we can be of any further assistance, please don't hesitate to contact a Titan Lifts® representative at 1-888-908-4826. Thank you for the opportunity to continue to serve your lift equipment needs.

CONTENTS

INSTRUCTIONS.....	1
OPERATION & MAINTENANCE	2
SAFETY PRECAUTIONS.....	3
PARTS LIST (FIG. 1)	4
PARTS LIST (FIG. 1) - CONTINUED	5
RAM PARTS DETAIL (FIG. 2).....	6
POWER UNIT (FIG. 3)	7
ROLLER DROP-OUT PARTS DETAIL (FIG. 4)	8
CHECKING & FILLING HYDRAULIC FLUID	9
BLEEDING.....	9

INSTRUCTIONS



WARNING: READ ENTIRE MANUAL AND COMPLY WITH ALL SAFETY AND SERVICE PRECAUTIONS. DEATH, PERSONAL INJURY AND/OR PROPERTY DAMAGE MAY OCCUR IF INSTRUCTIONS ARE NOT FOLLOWED CAREFULLY.

UNPACKING AND SET-UP *REFER TO PARTS LIST FIG. 1

1. Carefully unpack the lift making sure that all of the parts have been included.
2. Remove the lift and all parts from delivery pallet and place on a clean, solid flat surface.
3. Take end of black Hydraulic Hose and attach to the Power Unit Assembly (67).
4. Remove the fill cap from the power unit and fill the oil tank reservoir between the minimum and maximum range on the fill cap dipstick. To fill the oil tank reservoir, the lift must be completely lowered. Fill the oil tank with a permium quality ISO-32 or AW-46 Hydraulic oil.
5. Plug the hydraulic power unit into a standard 110V - 120V 60Hz AC outlet. Unit must be plugged into a dedicated circuit on a 15 amp circuit breaker. Raise the lift by pressing the green button on the control panel to expose the top of Casters (22). Note: If the lift is not raising level, check to make sure that the Wheels (42) are in their tracks.
6. Use the provided Allen wrench and place in top of Casters (22) and turn it clock-wise. Lower all four casters until the lift rolls freely.
7. If using the Front Extension (9), slide the Front Extension over the front of the Deck Plate. Use the second and third Connecting Bars (5) and secure to the Deck Plate with the Quick Pins (3) or use Short Connecting Bar (68) without Side Extensions.
8. If using Side Extensions (7) then use the Connecting Bar (5) to assemble the Side Extensions (7) to the Deck Plate (8) securing them with the Quick Pins (3). Slide the Side Extensions (7) to the Deck Plate (8).
9. Take Ramp Stands (43) and screw into Bottom Ramps (44) and (46). Place the Extension Ramp (47) over matching holes on the Center Ramp (45).
10. Take the Fixed Clamp (10) and bolt to location "B" on the Deck Plate (8) or Front Extension (9) Using Bolts (11), Washers (12), Lock Washers (13), and Nuts (14) (Optional Equipment).
11. Take the Crank Assembly (69) and bolt to location "C" on the Deck Plate (8) or Front Extension (9) using Bolts (11), Washers (12), Lock Washers (13) and Nuts (14). Bolt Moveable Clamp (16) to Crank Assembly (69) using the provided Bolts (70) (Optional Equipment).
12. Insert the Tire Stop (15) onto the Fixed Clamp (10) using the Pin (60)(Optional Equipment).
13. Place Stands (1) on holes located on the end of the Deck Plate (8).
14. If necessary, raise or lower the Adjustment Legs (6) to make the lift Deck Plate (8) level with the Ramps.

NOTE: The Stands (1) are for holding up a motorcycle with rear wheel removed. (Straps not provided but should be used).

NOTE: Standard Dropout Plate (2) can be removed for easy rear wheel removal.

NOTE: Roller Dropout Plate (4) can be installed after motorcycle is loaded for easy rear wheel cleaning or maintenance.



WARNING: Roller Dropout Plate (4) must be removed prior to unloading the motorcycle from the lift & replaced with the Standard Dropout (2). Do NOT operate motorcycle on Roller Dropout (4). Roller Dropout (4) is **NOT** to be used as a dyno device.

OPERATION & MAINTENANCE

*REFER TO PARTS LIST FIG. 1

*** TEST THE LIFT SEVERAL TIMES FOR PROPER OPERATION BEFORE ATTEMPTING TO LIFT A LOAD.**

1. Raise Casters (22) to lower lift off Casters (22) onto solid surface.
2. Roll motorcycle onto Deck Plate (8) until Wheel is inside the Clamp (10 & 16).
3. Tighten the Clamp to the tire by using the crank handle on the Moveable Clamp (16).
4. Load must be centered on the table at all times.
5. Load must be firmly positioned and secured on the table at all times.
6. **WARNING:** Do **NOT** raise the Deck Plate (8) higher than the highest locking position.
7. **IMPORTANT:** After reaching the desired working height, make sure the Handle (27) is down in order to make the Safety Plate (61) set in the safety lock for your protection. Press the Release Handle to set the Safety Plate (61) into the safety lock position.
8. When finished working, raise the lift to release pressure off the Safety Plate and pull the Handle (27) up, and then press the Release Handle to lower the lift.
9. All moving parts have been lubricated at the factory and should be re-lubricated before the first use and at least once every six months to prevent damage.
10. Lightly oil cylinder rod at least once every six months or when it becomes dry.
11. Do **NOT** use this product if worn or damaged. Examine lift for structural cracks, bends, or other signs of damage prior to each use. Check all hoses and connections before each use to ensure proper working condition.
12. Keep lift clean, dry, and well maintained to extend longevity of the product.
If the lift does not appear to be working properly, follow bleeding instructions, pg 10.

 **WARNING: DO NOT LOAD THE MOTORCYCLE ONTO DECK PLATE (8) WITH THE ROLLER DROPOUT (4) INSTALLED. USE THE STANDARD DROPOUT PLATE (2) WHEN LOADING MOTORCYCLE.**

 **WARNING: HANDLE (27) SHOULD BE MOVED DOWN ALL THE WAY WHEN THE LIFT IS IN THE RAISED POSITION AND THE SAFETY SUPPORT PLATE (61) LOCKED SO THE LIFT WILL NOT LOWER.**

WARNING

The warnings, precautions and instructions in this manual cannot cover all possible conditions and situations that may occur. The operator must understand that the operator must supply common sense and examine caution factors when using this product to determine safety in all circumstances being used.

SAFETY PRECAUTIONS

1. Load should not exceed rated capacity for this lift - 1,500lb
2. Make sure the handle is in the down position and the safety plate is set in the safety lock while the lift is in the raised position.
3. Move the lift only when it is lowered.
4. Do **NOT** ride vehicle onto lift.
5. Only trained people should operate the lift.
6. Power Unit pump should be at least 3 feet away when operating. Remain clear of the lift when raising or lowering.
7. Indoor use recommended.
8. Do **NOT** move lift while loaded.
9. Keep hands, tools and other extremities from under carriage and moving parts.
10. Maintain a safe working environment. The work area should be clean, dry, clutter free and sufficiently lit.
11. Wear proper ANSI-approved safety attire. Do **NOT** wear loose fitting clothing while operating lift, long hair and sleeves should be secured.
12. Keep children and bystanders away from work area. Do **NOT** let children operate or play on lift.
13. Do **NOT** use if under the influence of drugs or alcohol. Operator must be alert at all times when using heavy lift equipment.
14. Never operate the lift with someone on it.
Do **NOT** adjust safety valve.
15. Use this lift only for the work it is intended. Do **NOT** use this product for an application for which it was not designed. Misuse can lead to personal injury and/or property damage.
16. Industrial applications must follow OSHA requirements.
17. Do **NOT** use for aircraft purposes.
18. Have your lift serviced by a qualified technician using only identical Titan Lifts® replacement parts and attachments. This will ensure that the safety of the lift is maintained.

PLEASE READ THE FOLLOWING CAREFULLY

THE MANUFACTURER AND/OR DISTRIBUTOR HAS PROVIDED THE PARTS LIST AND ASSEMBLY DIAGRAM IN THIS MANUAL AS A REFERENCE TOOL ONLY. THE MANUFACTURER OR DISTRIBUTOR DOES NOT MAKE ANY REPRESENTATION OR WARRANTY OF ANY KIND TO THE BUYER THAT HE OR SHE IS QUALIFIED TO MAKE ANY REPAIRS TO THE PRODUCT, OR THAT HE OR SHE IS QUALIFIED TO REPLACE ANY PARTS OF THE PRODUCT. THE MANUFACTURER AND/OR DISTRIBUTOR EXPRESSLY STATES THAT ALL REPAIRS AND PARTS REPLACEMENTS SHOULD BE PERFORMED BY CERTIFIED AND LICENSED TECHNICIANS, AND NOT BY THE BUYER. THE BUYER ASSUMES ALL RISK AND LIABILITY ARISING OUT OF HIS OR HER REPAIRS TO THE ORIGINAL PRODUCT OR REPLACEMENT PARTS THERETO, OR ARISING OUT OF HIS OR HER INSTALLATION OF REPLACEMENT PARTS THERETO.

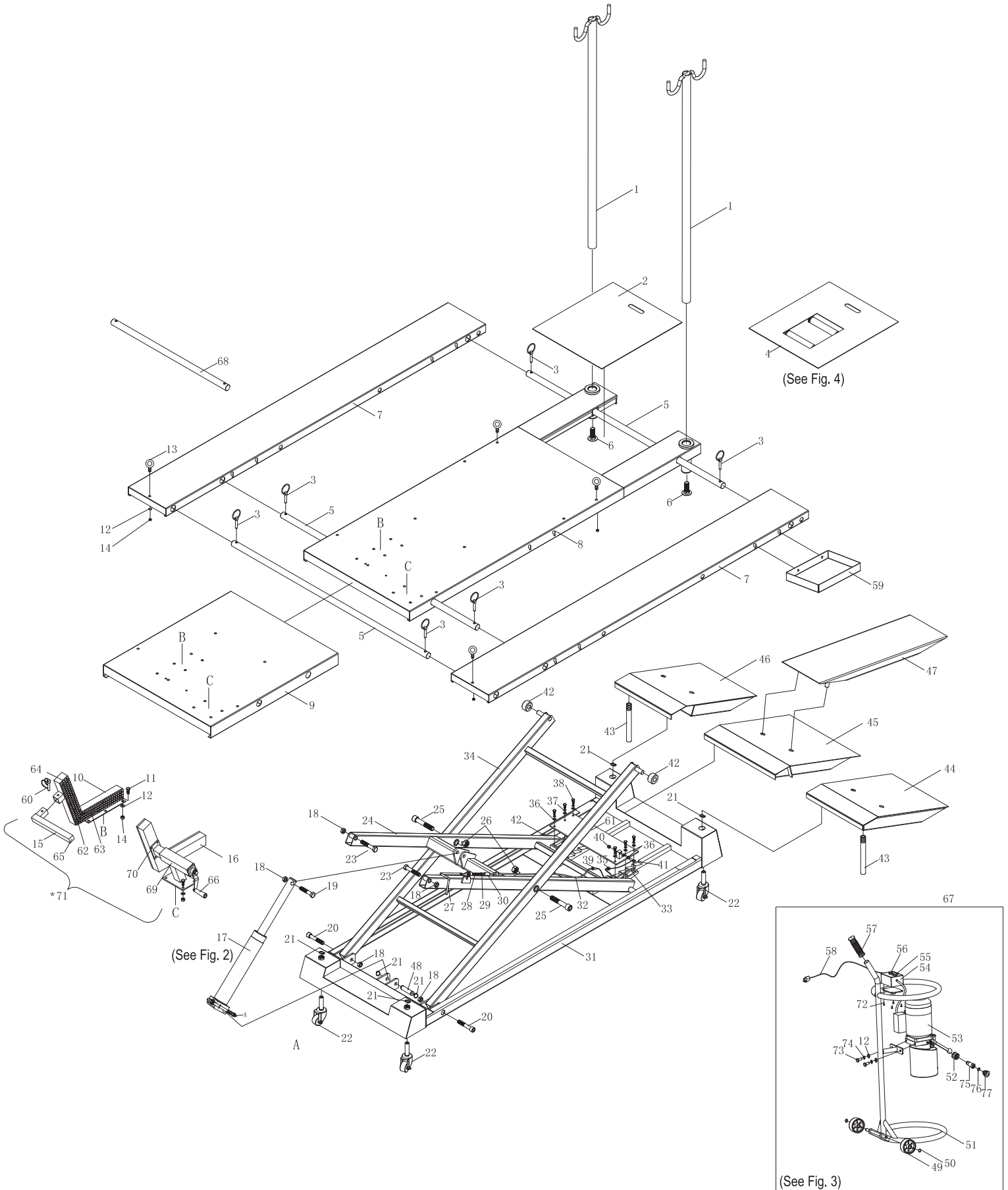
Product's Serial Number: _____

Note: If product does not have a serial number, record the month and year of purchase instead.

Note: Some parts are listed and shown for illustration purposes only, and are not available individually as replacement parts.

PARTS LIST (FIG. 1)

PLEASE MAKE SURE TO CONFIRM THAT ALL PARTS ARE INCLUDED.

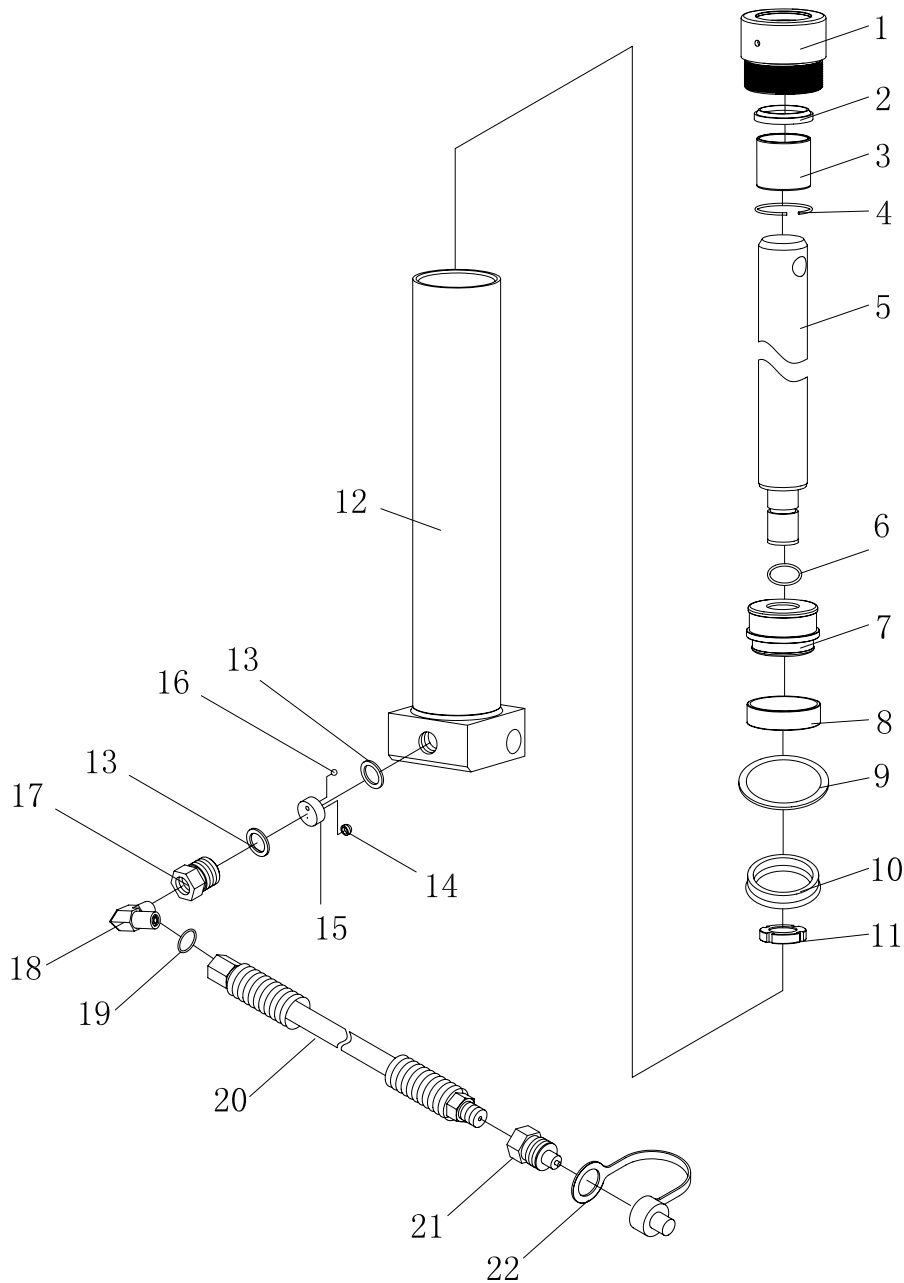


PARTS LIST (FIG. 1) - CONTINUED

NO.	DESCRIPTION	QTY	NO	DESCRIPTION	QTY
1	STAND POLE	2	40	RETAINING NUT M8	1
2	STANDARD DROPOUT PLATE	1	41	SAFETY CABLE LOCK BOLT	1
3	QUICK PIN	6	42	WHEEL	4
4	ROLLER DROP OUT PLATE (See Fig. 4)	1	43	RAMP STAND	2
5	CONNECTING BAR	3	44	RAMP-LEFT	1
6	ADJUST LEG	2	45	RAMP-CENTER	1
7	SIDE EXTENSIONS (RIGHT & LEFT)	2	46	RAMP-RIGHT	1
8	DECK PLATE	1	47	EXTENSION RAMP	1
9	FRONT EXTENSION	1	48	PIN	1
10	FIXED CLAMP (COLOR)	1	49	WHEEL	2
11	BOLT M10*25	10	50	RETAINING RING Φ 12	2
12	WASHER Φ 10	12	51	PUMP BED-FRAME	1
13	EYE BOLT	4	52	COUPLING RING	1
14	NUT M10	14	53	ELECTRIC HYDRAULIC PUMP	1
15	TIRE STOP (COLOR)	1	54	BLOCK TERMINAL - GREEN	1
16	MOVABLE CLAMP (COLOR)	1	55	EMERGENCY BUTTON - RED	1
17	CYLINDER (See Fig. 2)	1	56	CONTROL BUTTON - GREEN	1
18	RETAINING NUT M16	5	57	HANDLE SLEEVE	1
19	BOLT M16*80	1	58	THREE-PIN PLUG WITH WIRE	1
20	INNER HEXAGON SCREW M16*90	2	59	TOOL BOX	1
21	RETAINING RING Φ 20	6	60	WHEEL STOP PIN	1
22	CASTER	4	61	SAFETY SUPPORT PLATE	1
23	BOLT M16*90	2	62	RUBBER VISE PAD - RIGHT	2
24	LINK ROD 1	1	63	RUBBER VISE PAD - LEFT	2
25	INNER HEXAGON SCREW M20*120	2	64	PLASTIC VISE END CAP - BLK	4
26	RETAINING NUT M20	2	65	PLASTIC WHEEL STOP END CAP - BLK	2
27	HANDLE	1	66	VISE HANDLE - PLASTIC	1
28	SPRING	1	67	PUMP ASSEMBLY (See Fig. 3)	1
29	NUT M8	1	68	SHORT CONNECTING BAR	1
30	BUSHING	1	69	CRANK ASSEMBLY (COLOR)	1
31	BASE ASSEMBLY	1	70	BOLT M8*16	4
32	SAFETY LOCK CABLE	1	71	*COMPLETE VISE ASSEMBLY (COLOR)	1
33	SAFETY LATCH	2	72	SCREW M4*15	4
34	LINK ROD 2	1	73	BOLT M10*20	2
35	NUT M8	1	74	LOCK WASHER Φ 10	2
36	WASHER Φ 8	8	75	COUPLING BOLT	1
37	LOCK WASHER Φ 8	8	76	O-RING	1
38	BOLT M8*20	6	77	DUST CAP	1
39	ADJUST SCREW	1			

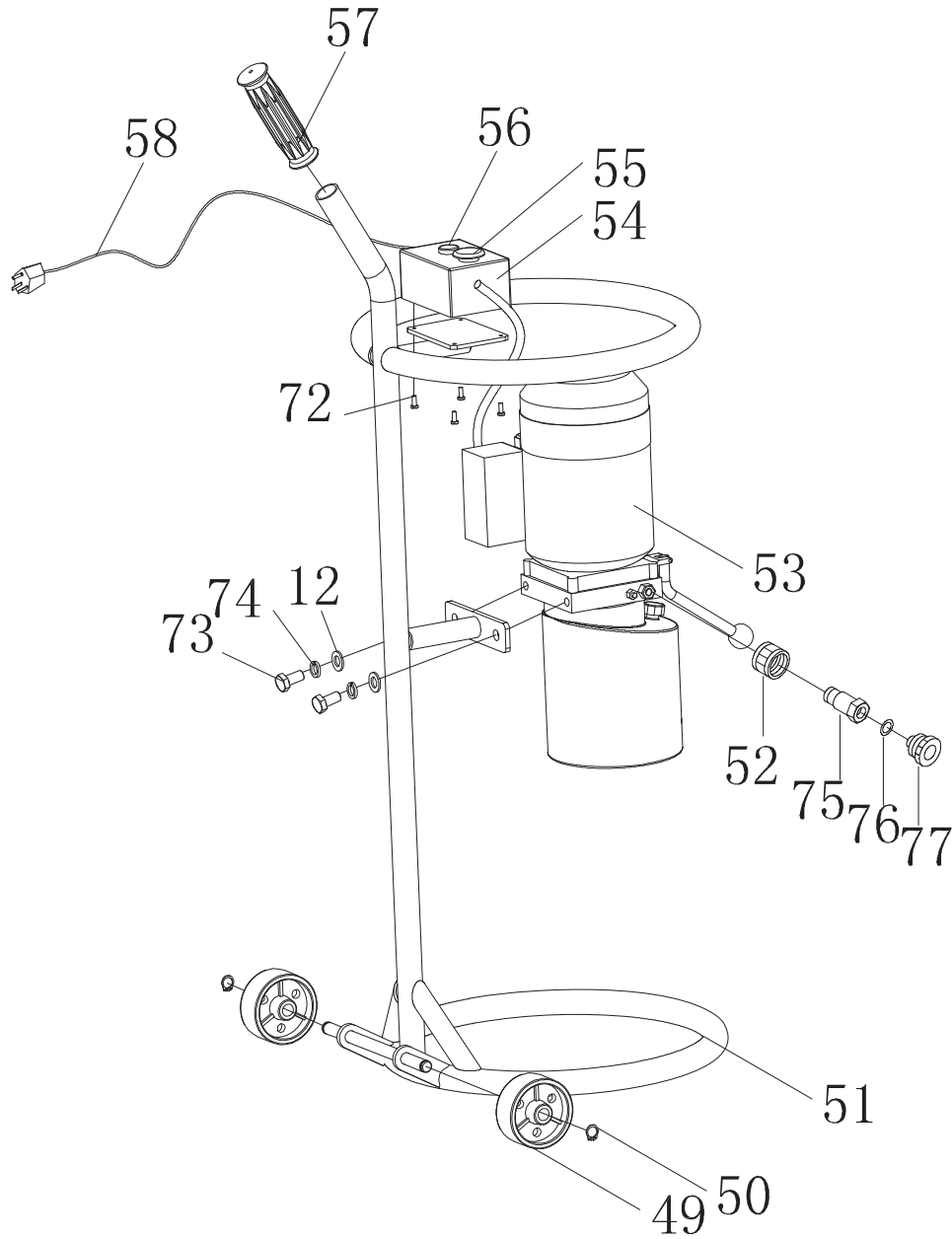
*OPTIONAL EQUIPMENT

RAM PARTS DETAIL (FIG. 2)



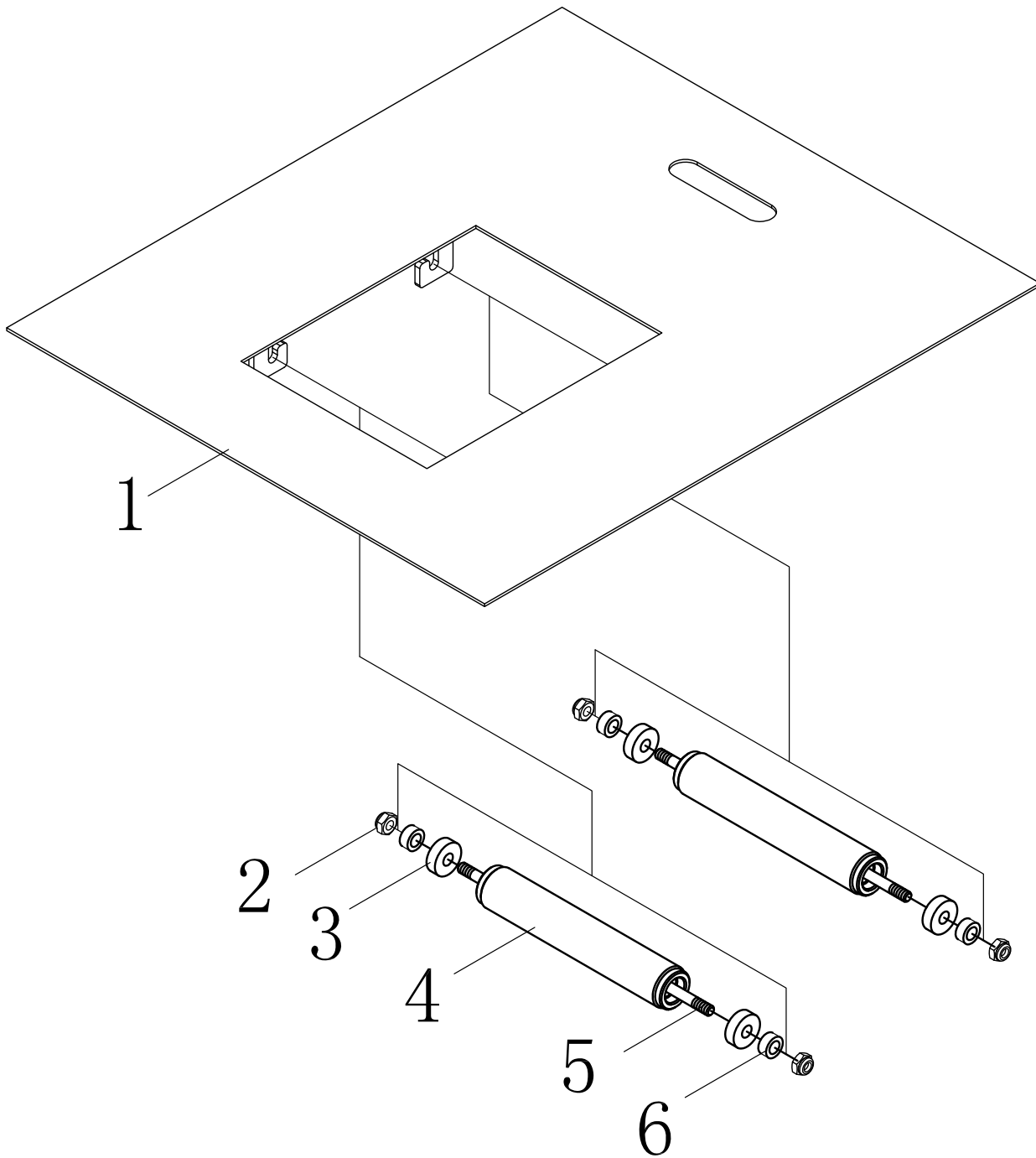
NO.	DESCRIPTION	QTY	NO	DESCRIPTION	QTY
1	RAM COVER	1	12	CYLINDER CASING (GREY)	1
2	DUST SEAL	1	13	WASHER	2
3	BACK-UP RING	1	14	FILLER NET	1
4	SPRING COLLAR	1	15	RELEASE VALVE	1
5	PISTON ROD	1	16	BALL	1
6	O-RING	1	17	ADAPTER FITTING	1
7	PISTON HEAD	1	18	90 DEGREE FITTING	1
8	PISTON RING	1	19	O-RING	1
9	SEAL GASKET	1	20	HYDRAULIC HOSE	1
10	OIL SEAL	1	21	HYDRAULIC HOSE FITTING	1
11	ROUND NUT	1	22	DUST CAP	1

POWER UNIT (FIG. 3)



NO.	DESCRIPTION	QTY	NO	DESCRIPTION	QTY
12	WASHER Φ 10	1	57	HANDLE SLEEVE	1
49	WHEEL	2	58	THREE-PIN PLUG WITH WIRE	1
50	RETAINING RING Φ 12	1	72	SCREW M4*15	4
51	PUMP BED-FRAME	1	73	BOLT M10*20	2
52	COUPLING RING	1	74	LOCK WASHER Φ 10	2
53	ELECTRIC HYDRAULIC PUMP	1	75	COUPLING BOLT	1
54	BLOCK TERMINAL - GREEN	1	76	O-RING	1
55	EMERGENCY BUTTON - RED	1	77	DUST CAP	1
56	CONTROL BUTTON - GREEN	1			

ROLLER DROP-OUT PARTS DETAIL (FIG. 4)



NO.	DESCRIPTION	QTY
01	DROPOUT PLATE (COLOR)	1
02	RETAINING NUT M8	4
03	BEARING	4
04	ROLLER	2
05	PIN	2
06	BUSHING	4

CHECKING & FILLING HYDRAULIC FLUID

1. Lower the lift completely. Remove the fill cap.
2. The oil level should be even within the minimum and maximum range on the fill cap dipstick.
3. If the fluid level is low, add premium quality ISO-32, AW-46 hydraulic oil. **DO NOT USE ANY OTHER FLUID OR BRAKE FLUID.**

BLEEDING

NOTE: If the lift appears not to be working properly, it may be necessary to bleed trapped air from the hydraulic system.

1. Check fluid level. Replace Fill Cap.
2. Depress and hold release handle.
3. Press the button to raise the lift while depressing the release handle.
4. Let up on release handle.
5. Raise the lift. If the lift does not elevate smoothly, repeat steps 2-5.

WARRANTY REGISTRATION

In order to utilize the warranty on this Titan Lifts product, you must register your product with us. The simplest way to do this is to visit [TITANLIFTS.COM/WARRANTIES](https://www.titanlifts.com/warranties) and submit your information online. If you prefer to send your information through the mail, please fill out the form below and send this page to us at :

**Titan Lifts
PO Box 7069
Greenwood, IN 46142**

EQUIPMENT MODEL: _____ SERIAL NUMBER: _____
TYPE OF POWER UNIT: _____ SERIAL NUMBER: _____
DATE OF PURCHASE: _____
PLACE PURCHASED: _____
NAME: _____
STREET: _____
CITY, STATE, ZIP: _____
PHONE: _____
EMAIL: _____

OPT OUT OF PROMOTIONS



In order to receive your warranty, return this card or visit [TITANLIFTS.COM/WARRANTIES](https://www.titanlifts.com/warranties) within 30 days.



LIMITED WARRANTY

The **Titan 2 Post lifts, 4 Post lifts and Bridge Jacks** are backed by a standard **1-year** replacement parts warranty and a **5-year** structural warranty from the date of purchase, to the original purchaser only. The **1-year** replacement parts warranty covers power units, hydraulic cylinders, and all other assembly components such as, but not limited to: turn plates, slip plates, cables, chains, valves, switches etc. This does not cover normal wear items such as, but not limited to: rubber lifting pads and nylon slide blocks. Titan Elite model lifts have been discontinued but still qualify under the same terms as shown above.

Titan SL-6600 Scissor Lifts and PREMIER Series 2 Post Lifts are backed by a **2-year** replacement parts warranty and a **5-year** structural warranty from the date of purchase, to the original purchaser only. The **2-year** replacement parts warranty covers power units, hydraulic cylinders, and all other assembly components such as, but not limited to: valves, switches, capacitors etc. This does not cover normal wear items such as, but not limited to: rubber lifting pads, nylon slide blocks and rubber arm pads.

Titan MRL-6000 Scissor lifts are backed by a standard **1-year** replacement parts warranty and a **5-year** structural warranty from the date of purchase, to the original purchaser only. The **1-year** replacement parts warranty covers power units, hydraulic cylinders, and all other assembly components such as, but not limited to: valves, switches, capacitors etc. This does not cover normal wear items such as but not limited to rubber lifting pads.

Titan ROT-4500 Rotisseries are backed by a standard **1-year** replacement parts warranty from the date of purchase, to the original purchaser only. The **1-year** replacement parts warranty covers components such as, but not limited to: hydraulic cylinders, caster assemblies, bearings etc. This does not cover normal wear items such as, but not limited to, mounting adapters.

Titan Standard Duty and Heavy Duty motorcycle lifts are backed by a standard **1-year** replacement parts warranty from the date of purchase, to the original purchaser only. The **1-year** replacement parts warranty covers power units, hydraulic cylinders, pneumatic cylinders, and all other assembly components such as, but not limited to: cables, caster wheels, valves, switches, wheel vises etc. This does not cover normal wear items such as, but not limited to: rubber wheel vise pads.

Titan Light Duty motorcycle lifts are warranted for replacement parts only to the original purchaser for a period of **90 days** from the date of purchase. This **90 day** replacement parts warranty covers items such as, but not limited to: hydraulic cylinder, casters, pedal assemblies, wheel vises etc. This does not cover normal wear items such as, but not limited to: rubber wheel vise pads.

Titan Bulldog Moto Cradle Wheel Chock is warranted for replacement parts, only to the original purchaser, for a period of **2-years** from the date of purchase.

XL Tool by Titan Wheel Service Machines and Helper Arm Assemblies are backed by a standard **1-year** replacement parts warranty from the date of purchase, to the original purchaser only. The **1-year** replacement parts warranty covers internal boards, motors, pneumatic cylinders, and all other assembly components such as, but not limited to: cabinet, switches, valves, fittings etc. This does not cover normal wear items such as but not limited to: rubber pads, jaw protectors, air hoses, quick nut assemblies.

Titan shop equipment products and accessories are warranted for replacement parts only to the original purchaser for a period of **90 days** from the date of purchase. This **90 day** replacement parts warranty covers products such as but not limited to: EZ -Mover Jacks, Mini Jacks, tie down products, wheel service accessories, Bulldog Moto Cradle Wheel Chock accessories, dollies, stands, Multi-purpose Jacks, etc.

Titan TJ1T, FJ2T, and FJ3T are warranted for replacement parts only to the original purchaser for a period of **1 year** from the date of purchase.

For **all** warranty considerations, Titan Marketing, LLC will supply replacement parts only during the warranty period. The original purchaser is responsible for all shipping, handling, and any labor charges incurred. Hydraulic/Pneumatic cylinders may qualify for exchange under warranty if reported within the first 30 days from date of sale. After the first 30 days from date of sale, a seal kit and installation instructions will be sent for cylinder repairs. All defective parts must be returned to Titan for inspection and examination. Any parts that are found to be defective will be replaced or repaired to proper working order. Other items not listed above may be considered general wear parts and therefore, will not be covered under warranty. These warranties **do not** extend to **defects** caused by ordinary wear, abuse, misuse, shipping damage, improper installation, voltage or lack of required maintenance. Titan Marketing, LLC is **not** to be held responsible for any **failure** that results from an accident, purchaser/operator abuse, neglect, or failure to operate products in accordance with instructions provided in the owner's manual(s) supplied. Damage caused by rain, excessive humidity, corrosive environments or other contaminants are not covered under warranty. **THESE WARRANTIES DO NOT EXTEND TO ANY COSMETIC DEFECT NOT INTERFERING WITH EQUIPMENT FUNCTIONALITY OR ANY INCIDENTAL, INDIRECT, OR CONSEQUENTIAL LOSS, DAMAGE, OR EXPENSE THAT MAY RESULT FROM ANY DEFECT, FAILURE OR MALFUNCTION OF A TITAN MARKETING LLC PRODUCT OR THE BREACH OR DELAY IN PERFORMANCE OF THE WARRANTY.**

P.O. Box 7069 • Greenwood, IN 46142 • Ph. 888-908-4826 • Fx. 317-215-2770 • www.titanlifts.com

 **WARNING** 

The warnings, precautions and instructions in this manual cannot cover all possible conditions and situations that may occur. The operator must understand that the operator must supply common sense and examine caution factors when using this product to determine safety in all circumstances being used.



TITAN MARKETING, LLC

PO Box 7069 Greenwood, IN 46142
1.888.908-4826 FAX (317) 215.2770
www.titanlifts.com

**Patent No.: US 8,104,588 B2
CA 2,729,670**

5/7/18